



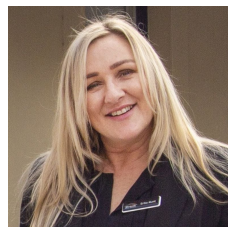
22 Elizabeth Avenue Plympton SA

2 1 2

13 Reasons to RENT NOW!

- Stunning 2 bedroom home
- Master with BIR and split system
- Open plan lounge and dining
- Split system to living area
- Gas fire place in the living area
- Central kitchen with great appliances
- Modern bathroom
- Polished timber floors through out
- Undercover entertaining area
- Big landscaped rear yard
- Rain water tank
- Laundry nook
- Close to all you need

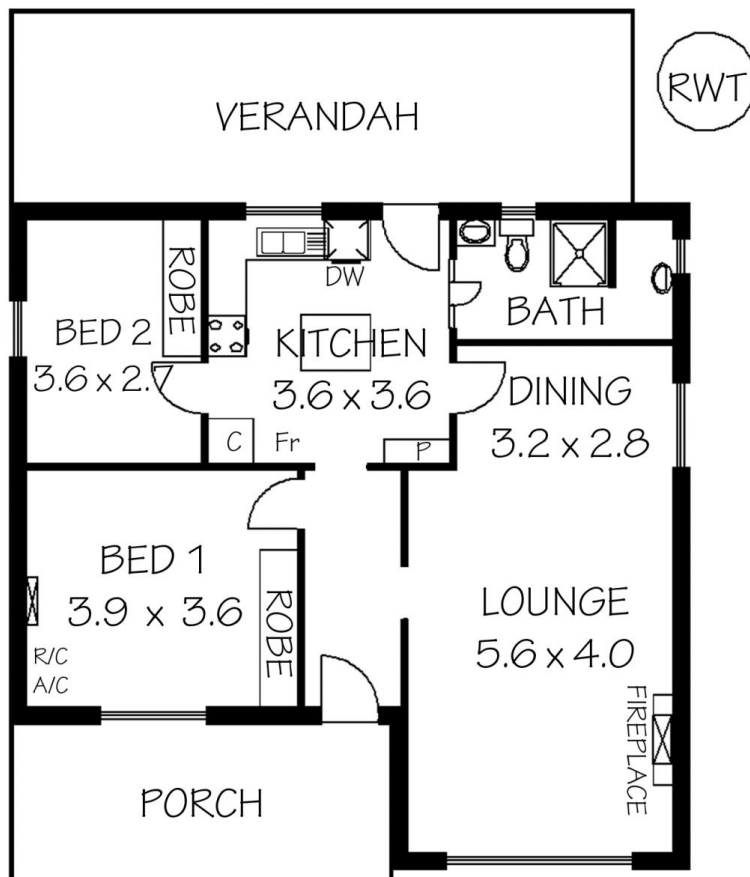
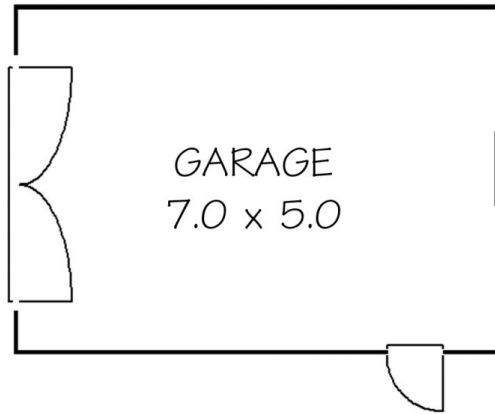
View : <https://www.timmorris.com.au/6437703>



Erika Munt
08 7225 2525



Tim Morris
08 7225 2525



NOTE: While every effort has been made to verify the correct details in this brochure, neither the vendor, illustrator or agent accept liability for any error or omission. All parties are requested to take relevant action to satisfy themselves of any issues.